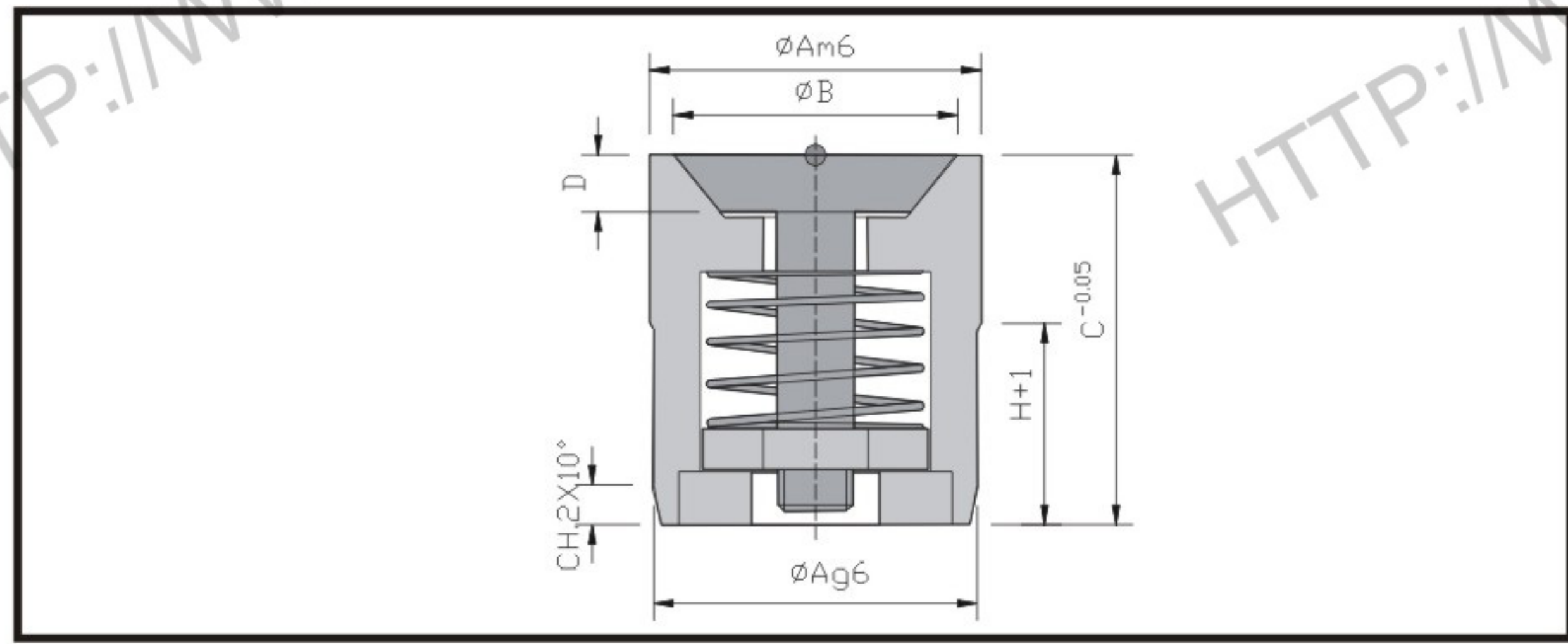


Air Valve



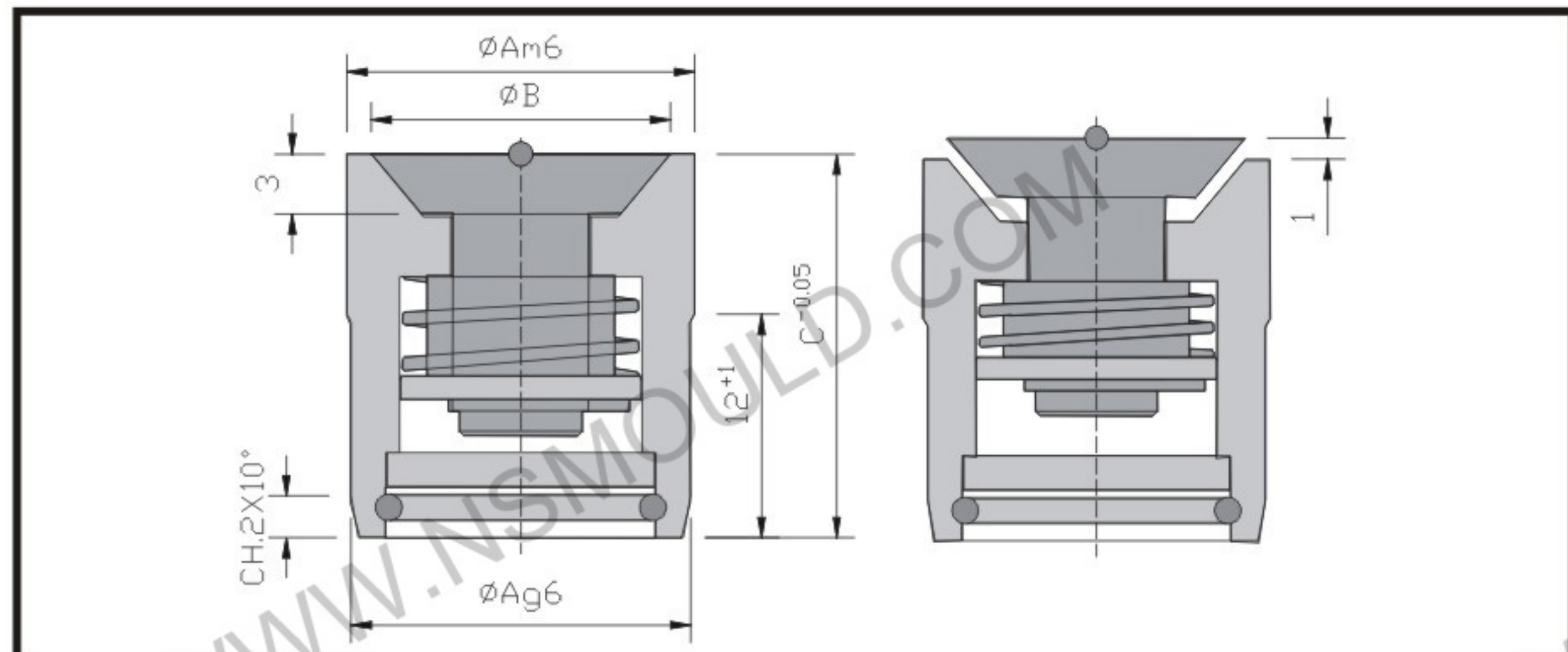
Standard: CUMSA Type VA



Material: INOX 1.4034
 Hardness: 48-54HRC
 Air pressure: 1.5-6BARS

Ref	size					
	A	B	C	D	E	H
VA.050412	5	4	12	1.5	4	7
VA.065212	6	5.2				
VA.086512	8	6.5		2	8	
VA.100812	10	8				
VA.121012	12	10	20	2.5	10	12
VA.161320	16	13		3	12	
VA.201720	20	17		3.5	16	

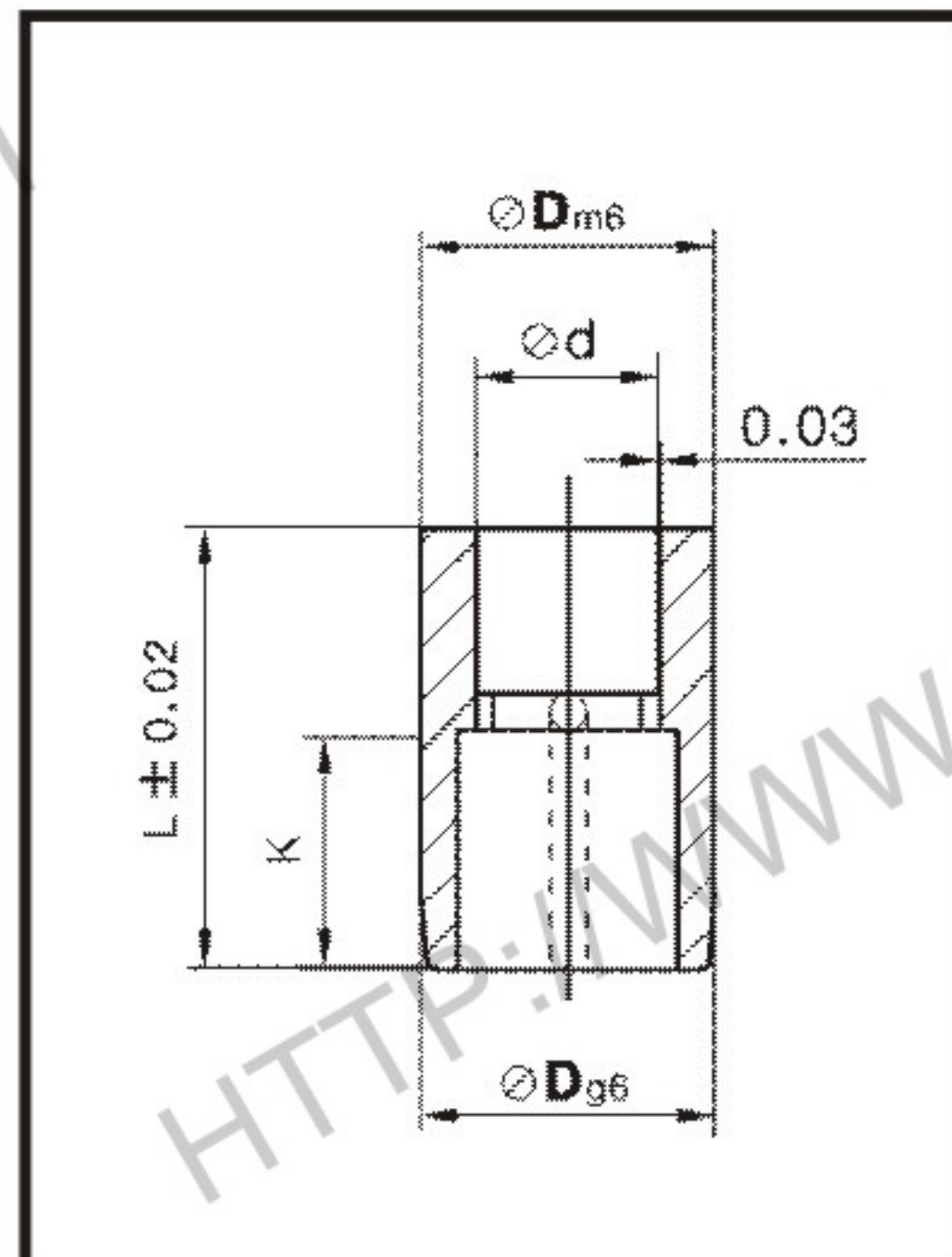
Standard: CUMSA FV



Materia: SUS420
 Hardness: 48-54 HRC
 Air pressure: 1.5-6BARS

Ref	size			
	A	B	C	E
FV.161320	16	13	20	14
FV.201720	20	17		18

Standard: CUMSA VD



Materia: SUS420
 Hardness: 48-54 HRC
 Air pressure: 1.5-6BARS

Ref	$\varnothing Dm6$	$\varnothing Dg6$	$\varnothing d$	L	K
VD.080512	8	8	5.0	12	7
VD.100612	10	10	6.0		
VD.120812	12	12	8.0	20	12
VD.161020	16	16	10.0		