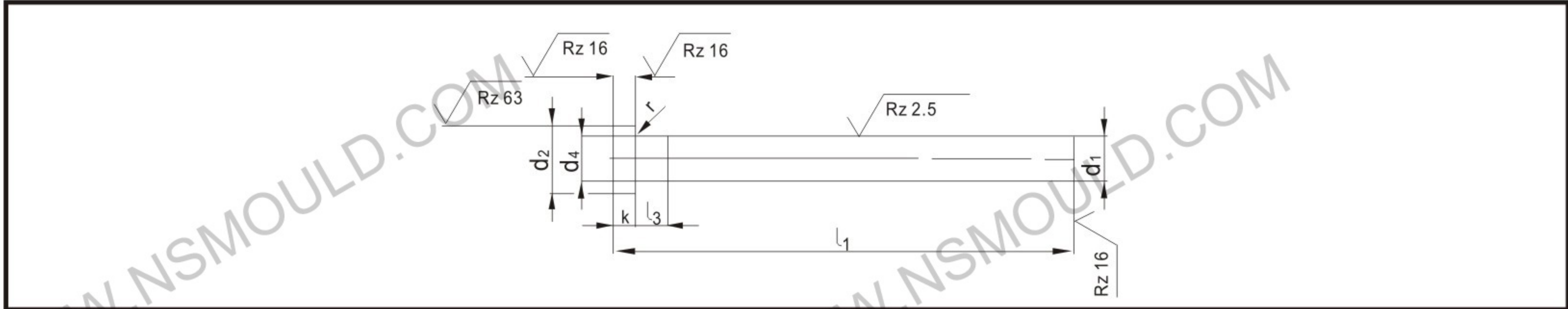
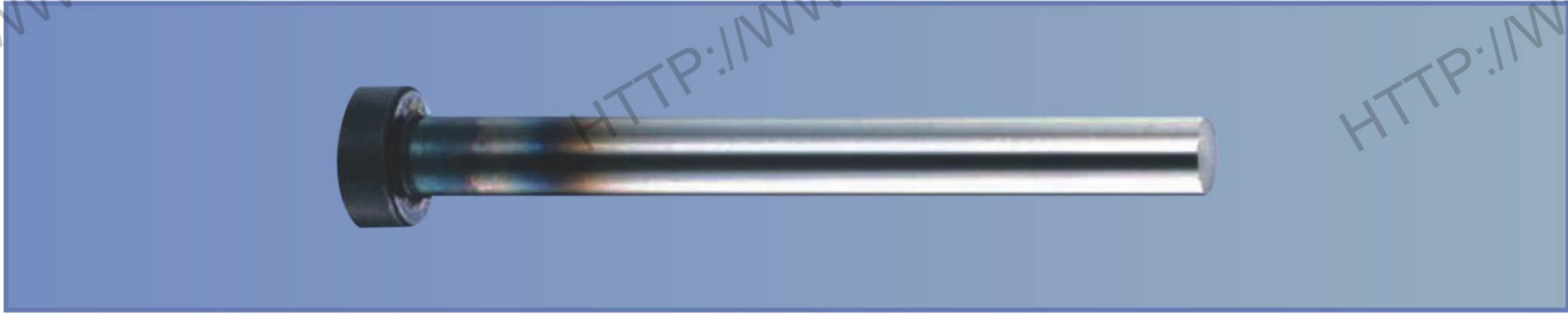


# Core pin unnitrided with cylindrical head-INCH



Similar to DIN1530 ISO6751



**Version:** Cylindrical head hot folded, shaft fine ground finished and not nitrated.

**Hardness:** Body and Head Condition  
Standard Hardness: 30–35 HRC  
High Hardness: 50–55 HRC

**Materials:** Hotwork steel 1.2343, 1.2344 or similar.  
Temper resistance at least 600 °C/1112°F.

Order format: core pin d1x l1

d <sub>1</sub>	d <sub>2</sub>	k	l <sub>1</sub>			
			3"	6"	10"	14"
k 6	0" - 0.01"	0" - 0.002"	+ 0,08" 0"			
3 / 32	1 / 4	1 / 8				
7 / 64	1 / 4	1 / 8				
1 / 8	1 / 4	1 / 8				
9 / 64	1 / 4	1 / 8				
5 / 32	9 / 32	5 / 32				
11 / 64	11 / 32	3 / 16				
3 / 16	3 / 8	3 / 16				
13 / 64	3 / 8	3 / 16				
7 / 32	13 / 32	3 / 16				
1 / 4	7 / 16	3 / 16				
9 / 32	7 / 16	1 / 4	<b>On request!</b>			
5 / 16	1 / 2	1 / 4				
11 / 32	9 / 16	1 / 4				
3 / 8	5 / 8	1 / 4				
13 / 32	11 / 16	1 / 4				
7 / 16	11 / 16	1 / 4				
15 / 32	3 / 4	1 / 4				
1 / 2	3 / 4	1 / 4				
9 / 16	13 / 16	1 / 4				
5 / 8	7 / 8	1 / 4				
3 / 4	1	1 / 4				