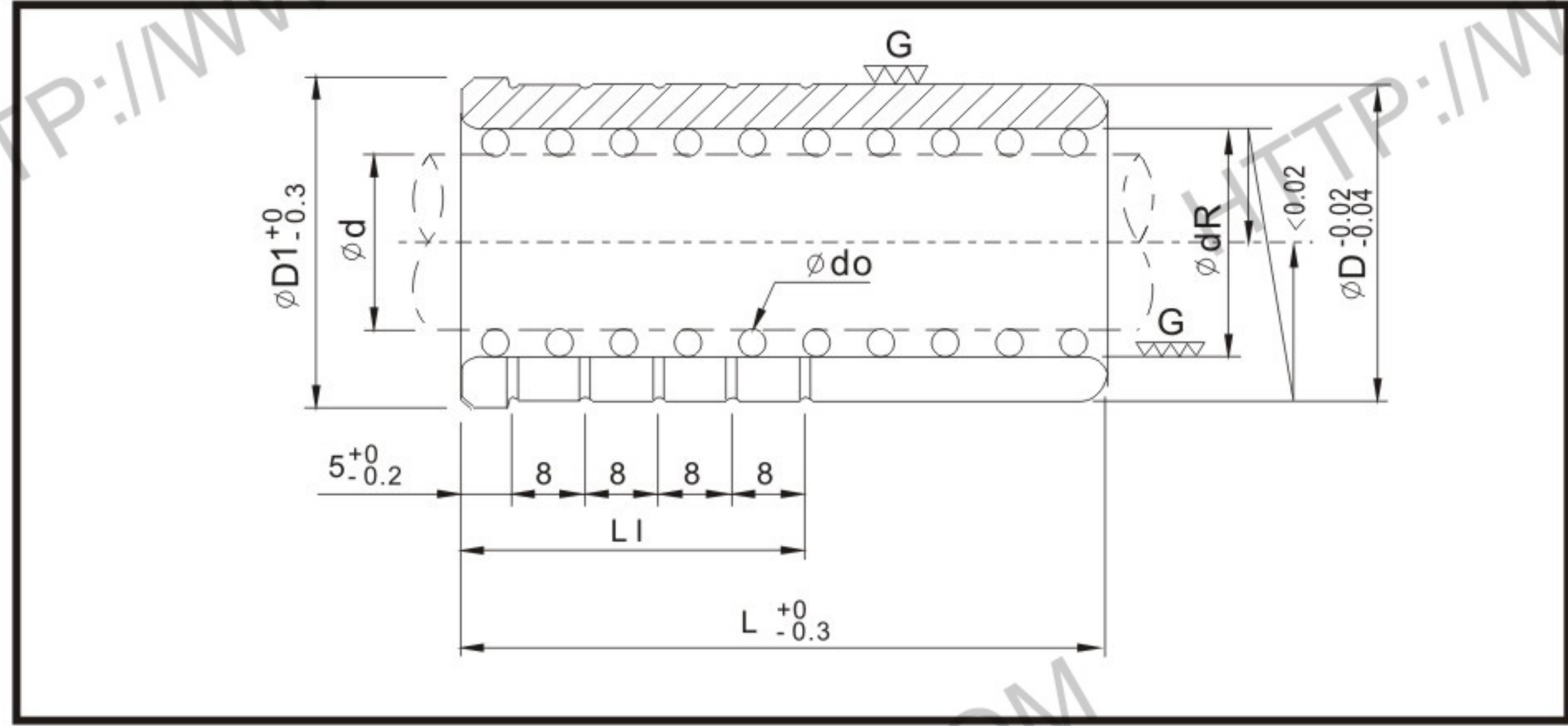
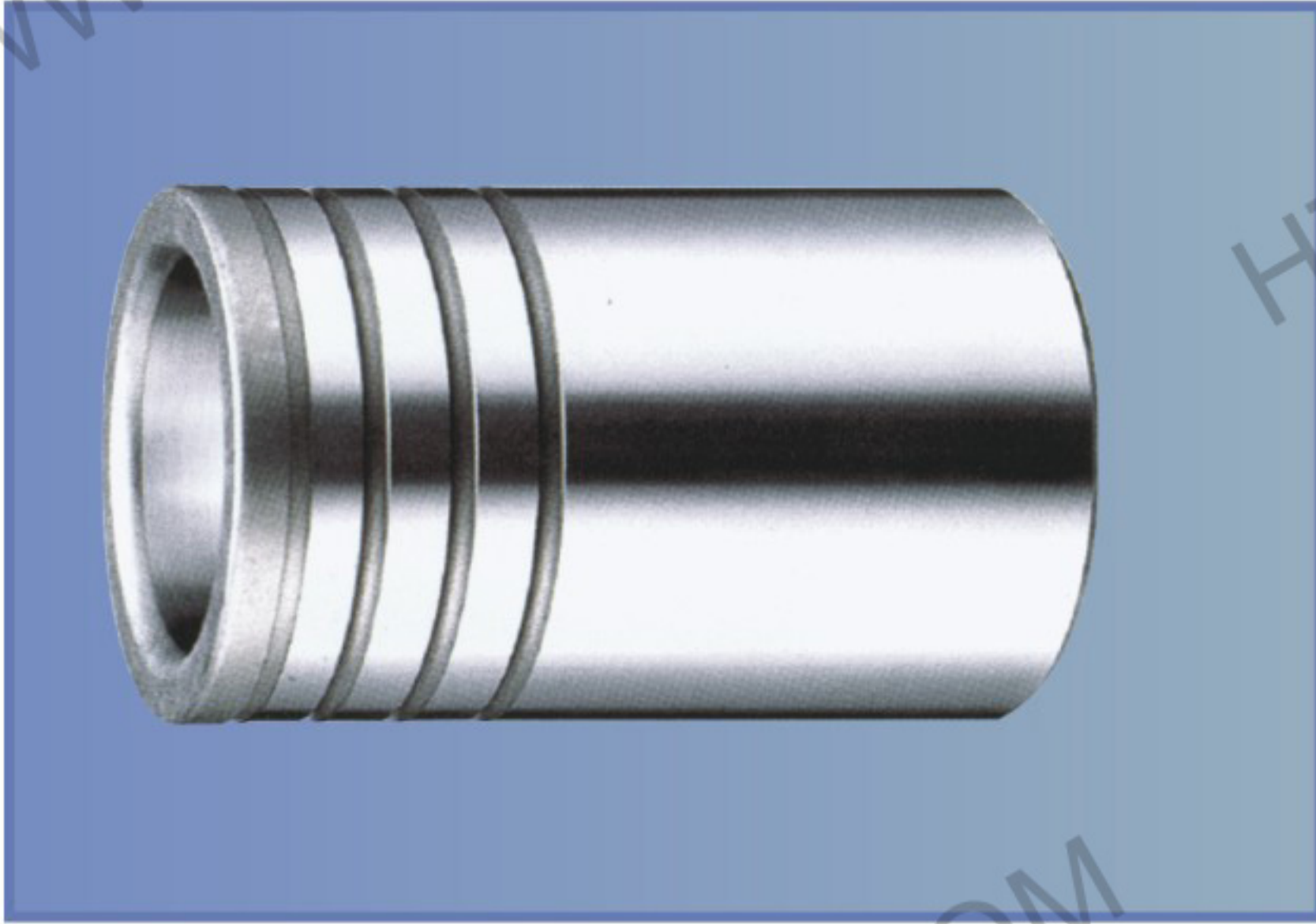


# BUSH



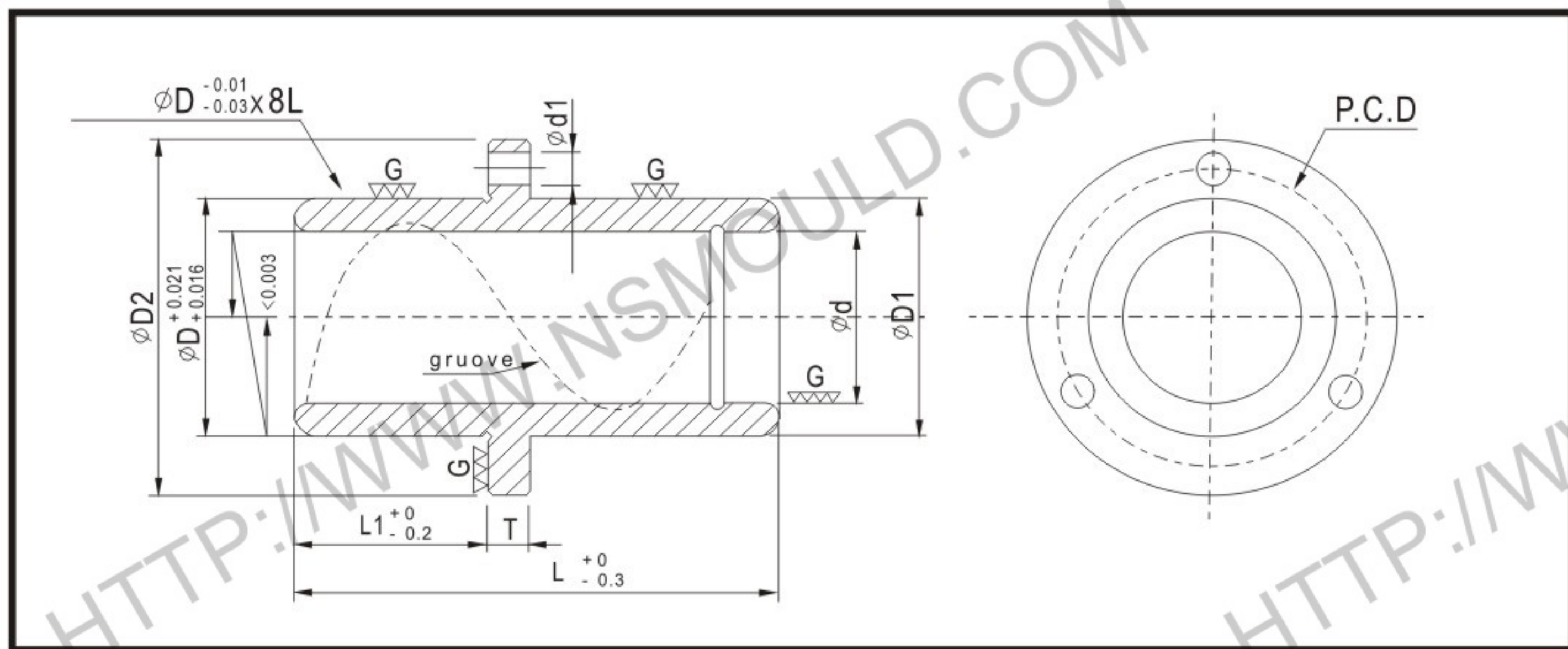
## Europe standard



Material: 1.2067  
Hardness: HRC60-62

Type	d	dR	do	D	D1	L1	L
SB	22	28	3	40	41.7	21	60,70,80
	25	31		44	45.7	29	60,70,80
	28	34	4	49	49.7	29	60,70,80,90,100
	32	40		54	54.7	37	70,80,90,100,110,120
	36	44	4	59	59.7	37	70,80,90,100,110,120
	40	50	5	64	64.7	45	80,90,100,110,120
	50	60		74	74.7	45	100,110,120

Order format: dxL



Material: 1.2067  
Hardness: HRC60-62

Type	d	D	D2	P.C.D	d1	T	L1	L	
SC	22	+0.008	32	50	43	6(M5)	6	19	50
	25		36	54	46	6(M5)	6	24	60
	28	+0.004	40	59	51	6(M5)	6	24	60
								27	80
	32	+0.001	44	64	55	7(M5)	8	24	70
								29	90
	36	+0.006	50	69	61	7(M5)	10	29	80
								34	100
40	+0.012	60	79	71	7(M5)	12	34	80	
							47	100	
50	+0.008	70	89	81	7(M5)	12	34	100	
							47	120	

Order format: dxL