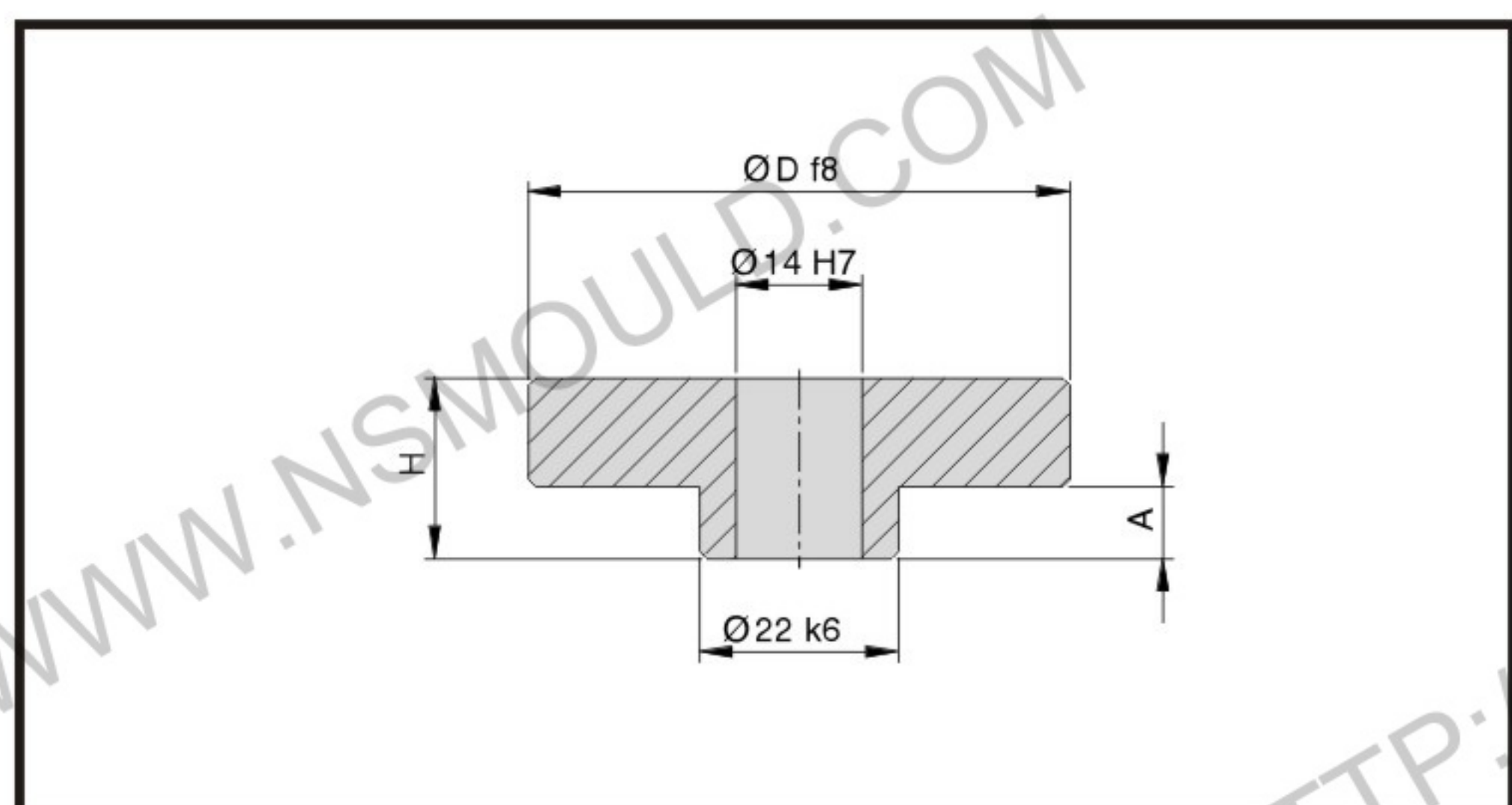
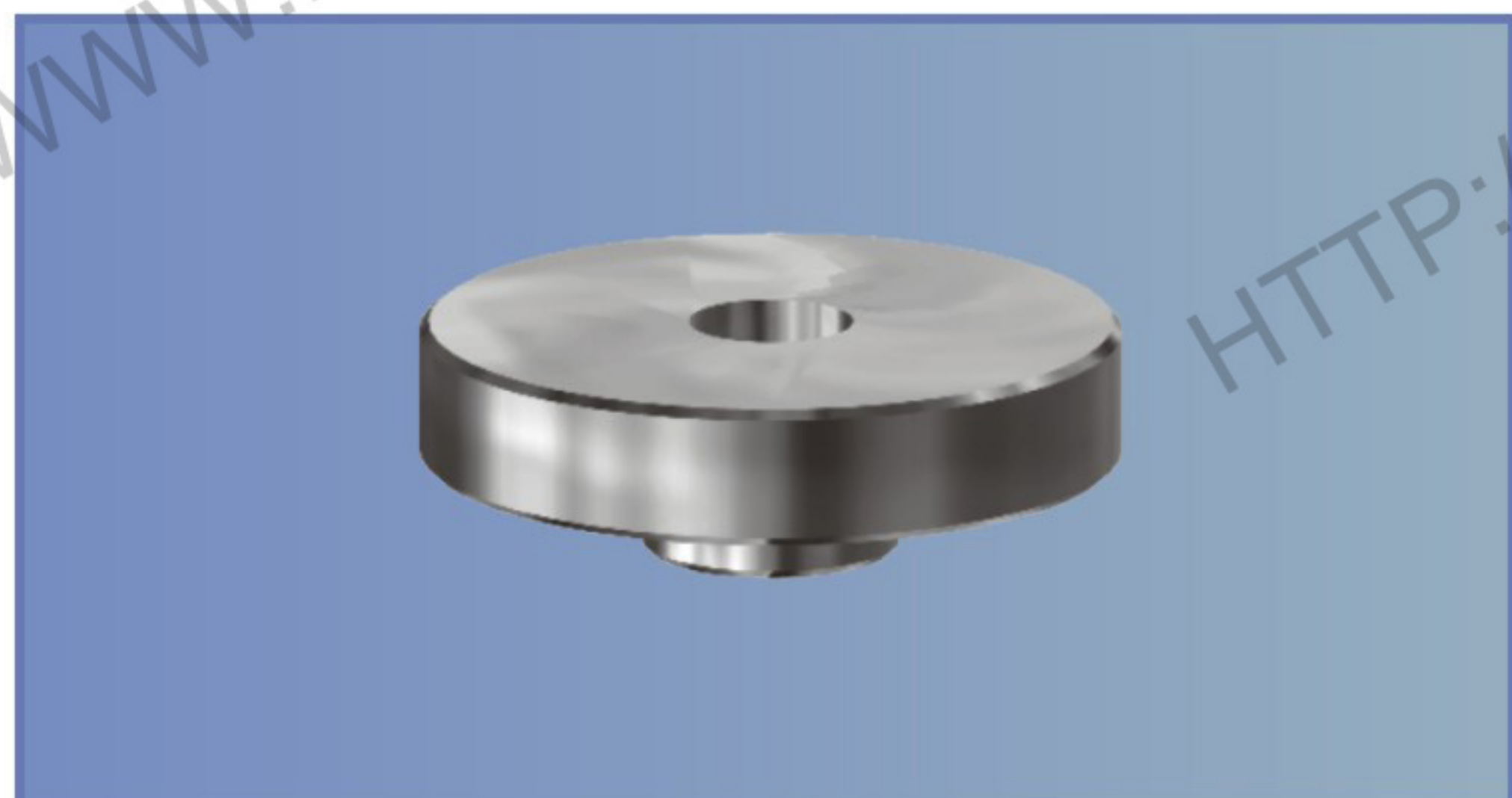


# Locate ring



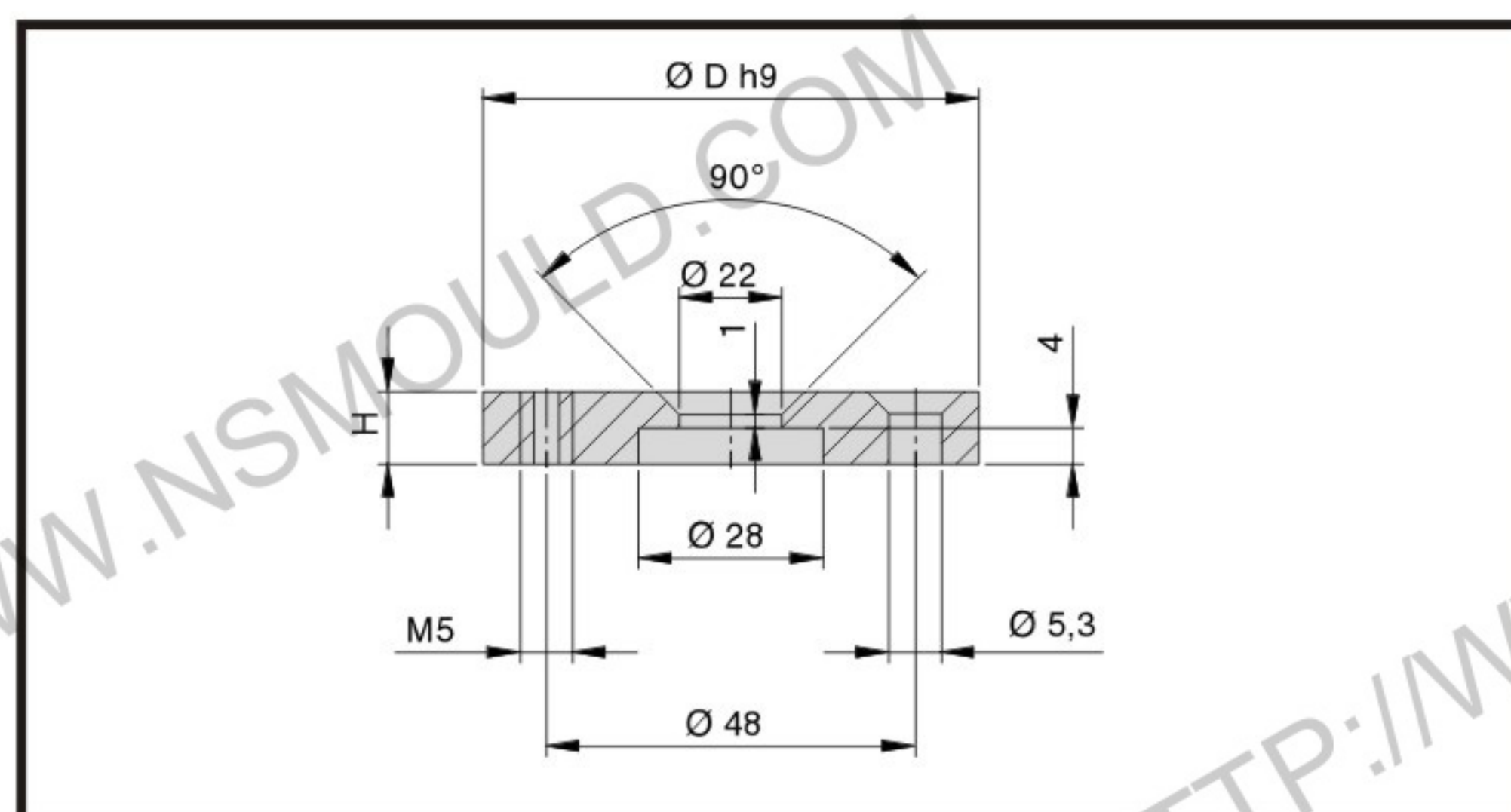
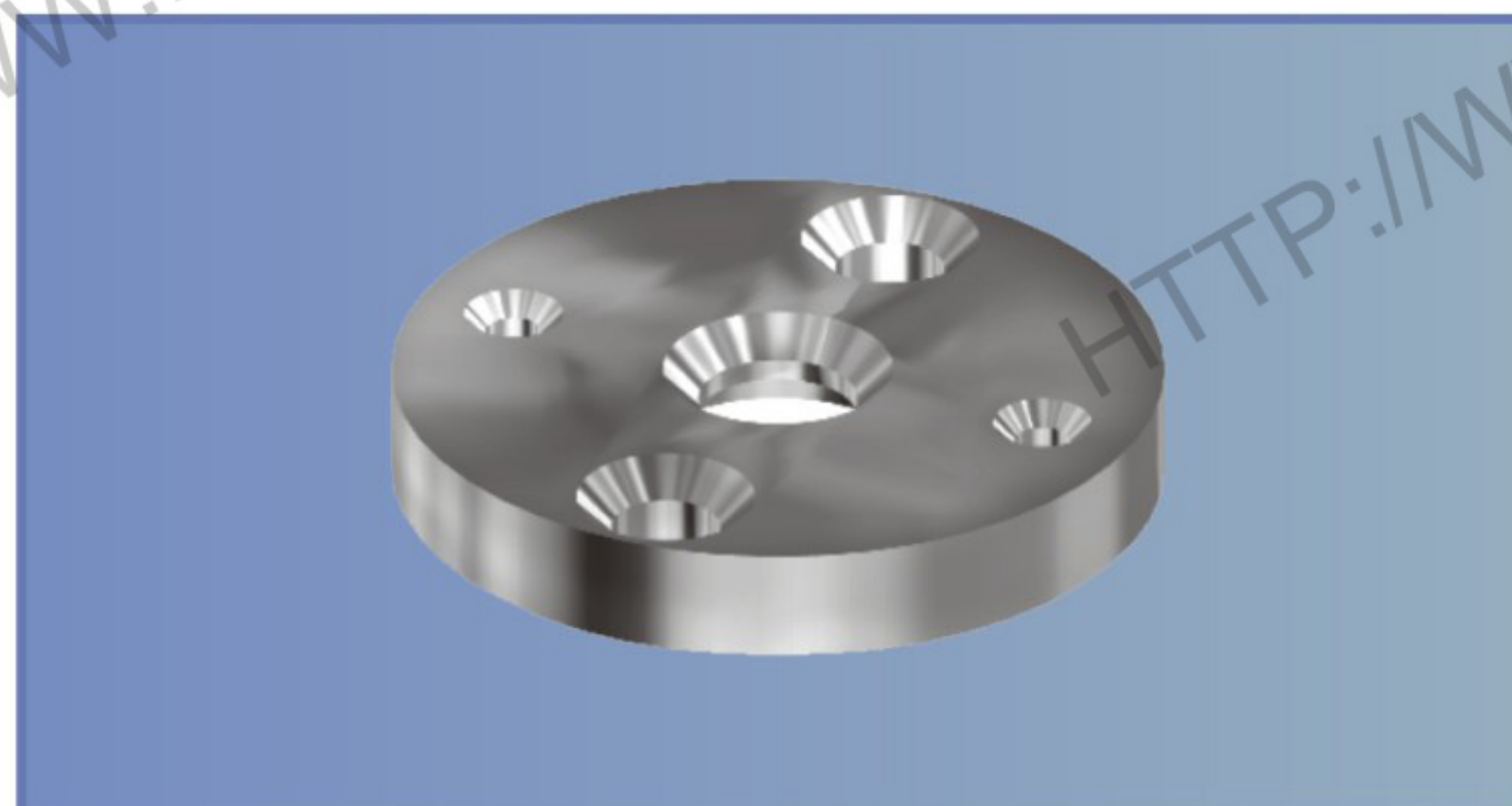
## R DME-Standard



Mat. St 37-2

REF	D	H	A	SERIE(S)
R 40	40	12	6	10
R 60	60	12	6	
R 60 L	60	22	16	

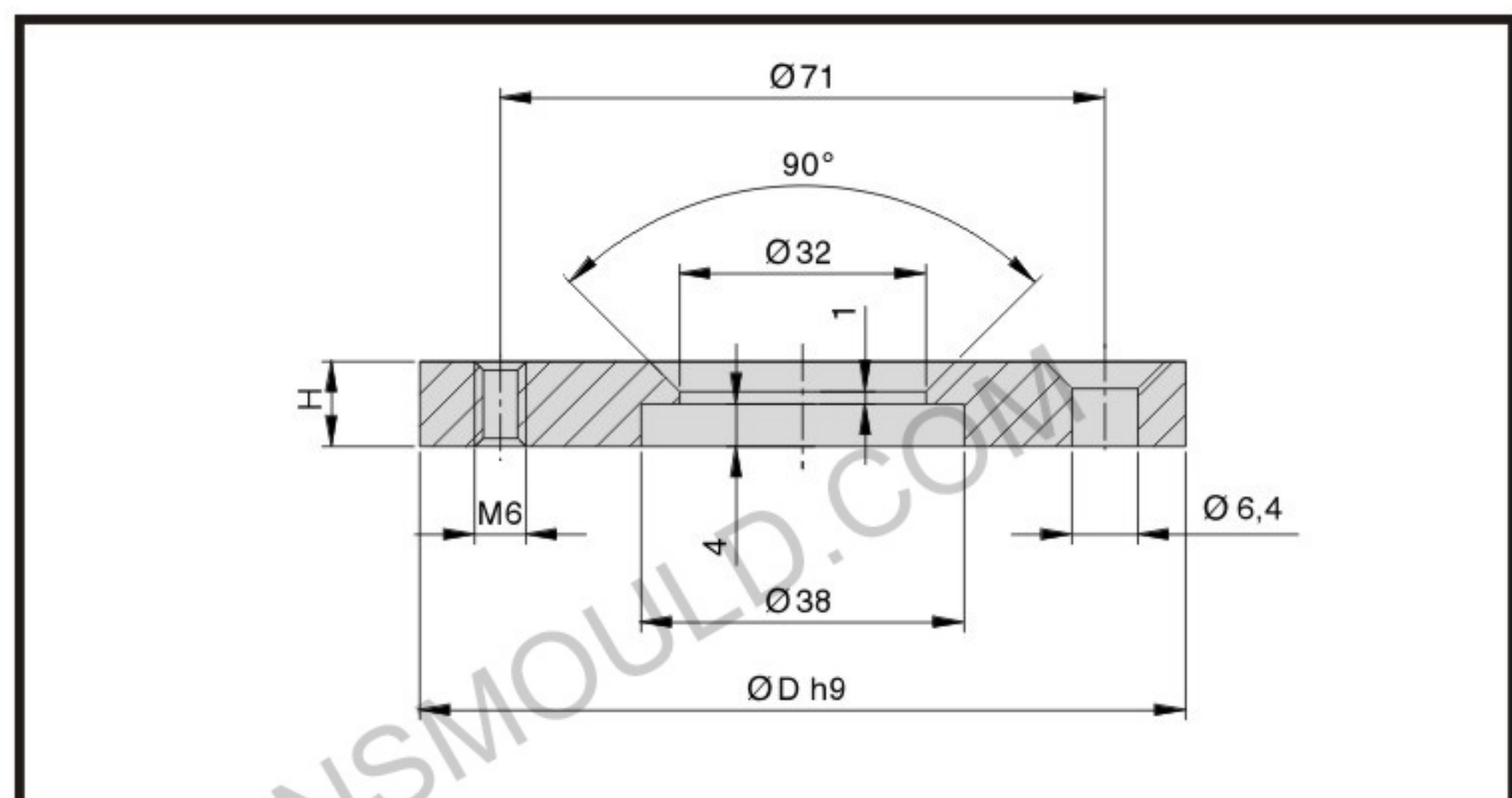
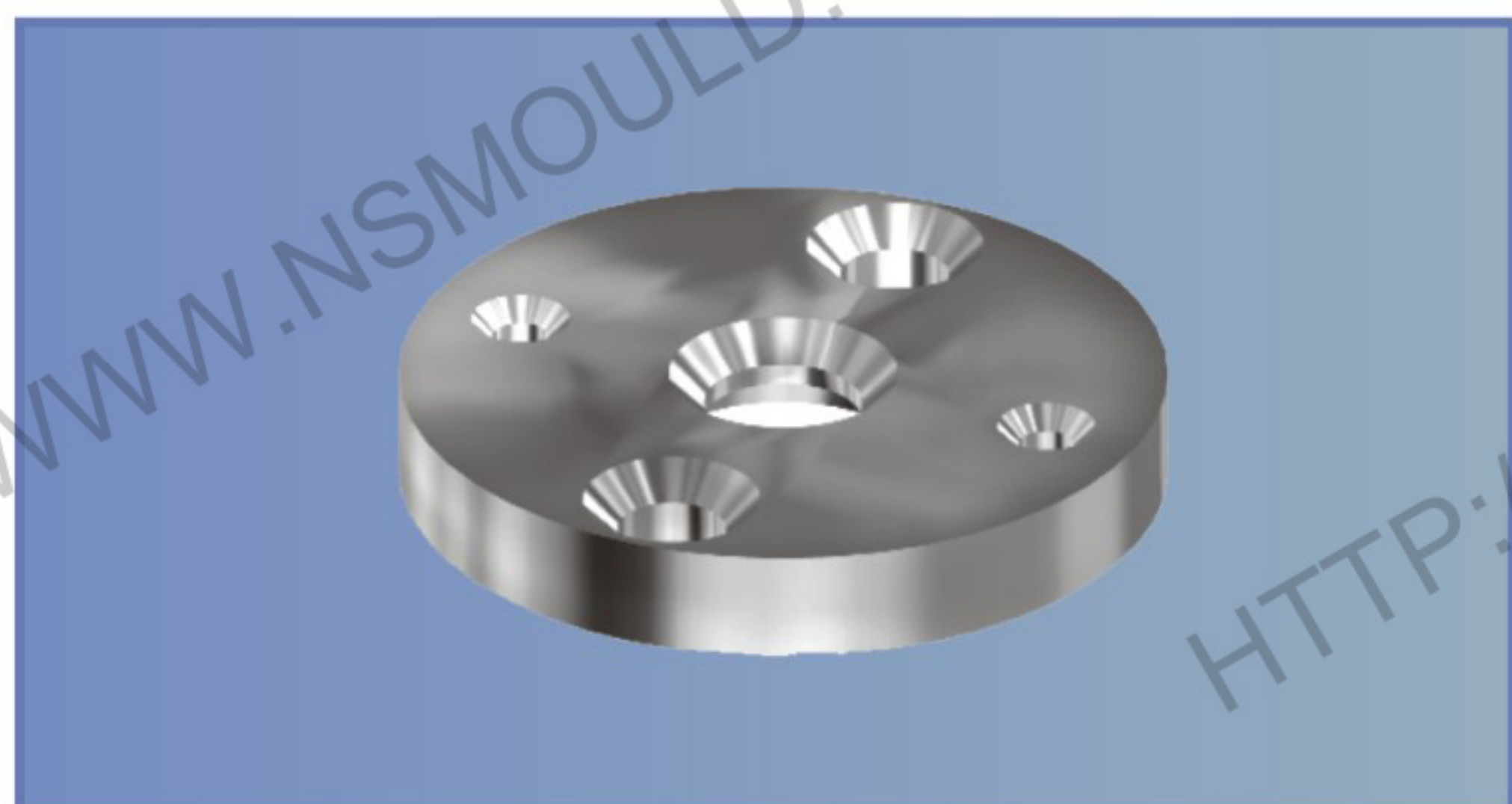
## R DME-Standard



Mat. St 37-2

REF	D	H	SERIE(S)
R 60 12	60	8	12

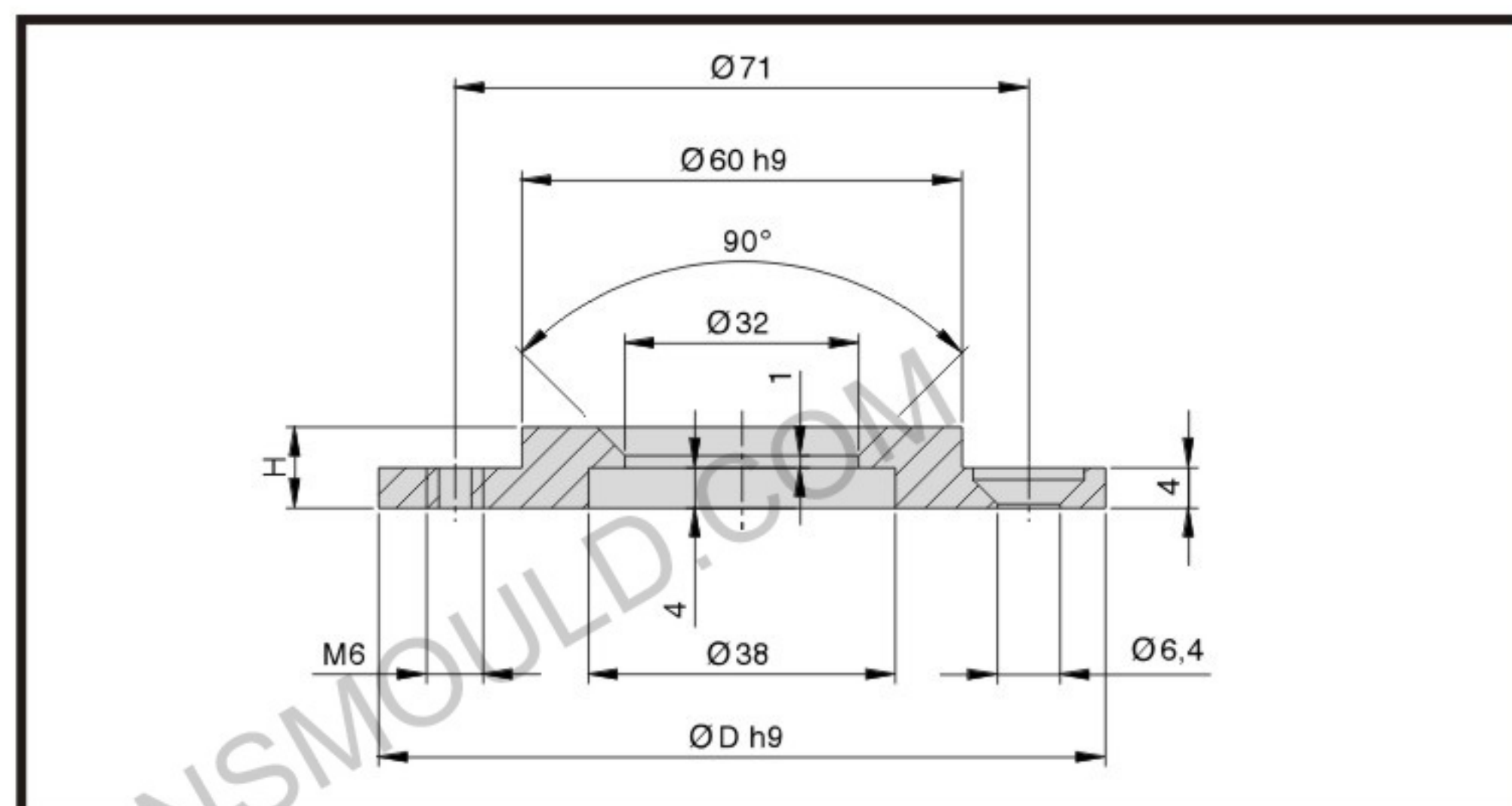
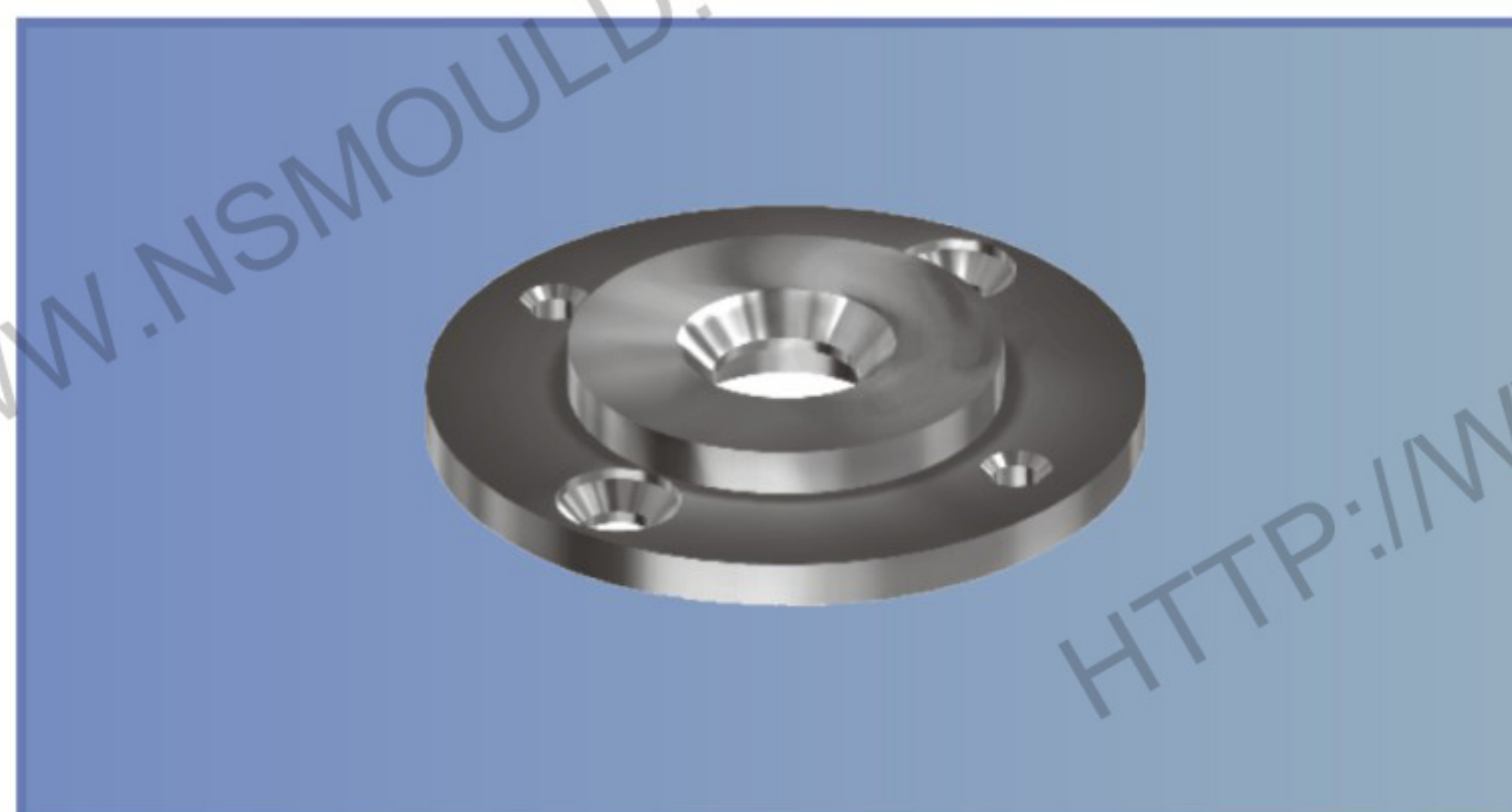
## R DME-Standard



Mat. St 37-2

REF	D	H	SERIE(S)
R 90	90	8	16

## R DME-Standard



Mat. St 37-2

REF	D	H	SERIE(S)
R 91	90	8	16